

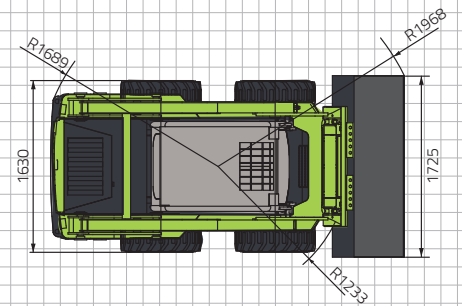
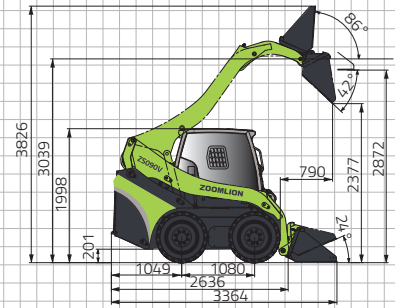
# SKID STEER LOADER ZS090V



**ZOOMLION**

# SKID STEER LOADER ZS090V

	Items	ZS090V
Working Performance	Operating Weight	2998 kg
	Rated Load	901 kg
	Tipping Load	1802 kg
	Standard Bucket Capacity	0.44 m <sup>3</sup>
	Max. Traveling Speed	11.5 km/h
	Max. Drawbar Pull	23 kN
	Boom Breakout Force	16.5 kN
	Bucket Breakout Force	18.5 kN
Engine	Manufacturer	KUBOTA
	Model	V2403-CR-T
	Rated Power	47.9 kW / 2700 rpm
	Emission Standard	EU Stage V / Tier 4F
	Displacement	2.434 L
Dimensions	Length	3364 mm
	Length (without bucket)	2636 mm
	Width	1725 mm
	Height	1998 mm
	Departure Angle	1968 mm
	Forward Swing Radius	25°
	Backward Swing Radius	1080 mm
	Wheelbase	1356 mm
Operating Range	Max. Operating Altitude	3826 mm
	Dumping Height	2377 mm
	Dumping Reach	790 mm



**ZOOMLION**

**Zoomlion Heavy Industry Science & Technology Co.,Ltd.**

Add: No.361, South Yinpen Road, Changsha, Hunan Province, P.R.China 410013

Email: earthmoving@zoomlion.com

Copyright©2024 Zoomlion. All rights reserved. Reproduction and copying of any part of contents is not allowed for any purposes without Zoomlion's approval.

Note: Materials and specifications are subject to change without notice. Featured machines in photos may include additional equipment.

