

W12

COMPACT AND EASY

Cold Store
Version -30 °C



Double manual descending control



High Frequency battery
charger built-in with
battery charge indicator



- Shelf / roll of extensible plastic film
- Bottle rack
- Paper holder

Pegaso



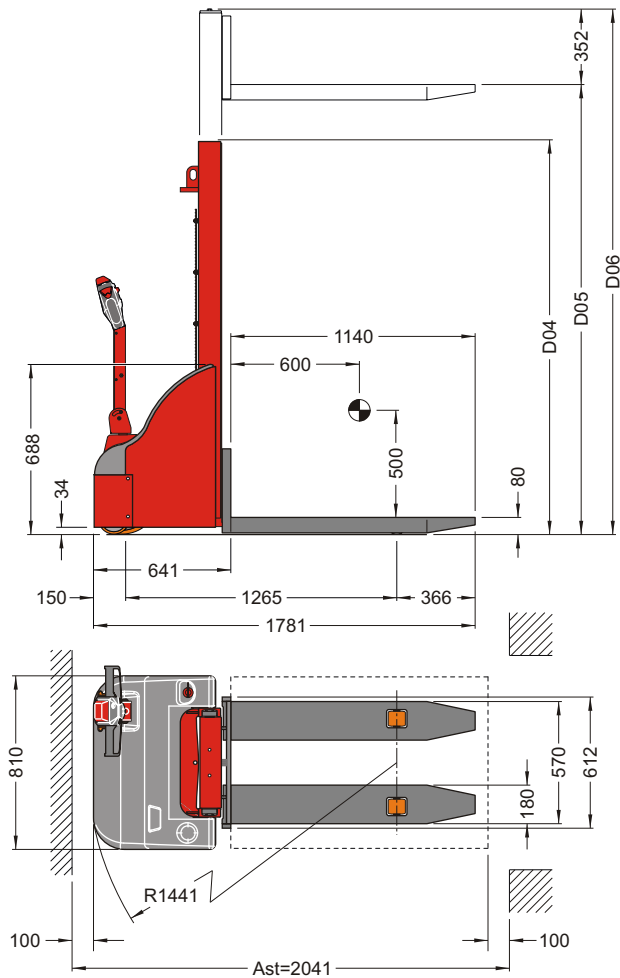
CE

W12 Series



Via del Lavoro 14 - 37047 San Bonifacio (Verona - Italy)
Tel. (0039) 045/7665570 - Fax: (0039) 045/7665698
www.pegasolift.com

DIMENSIONS SCHEME



LAST UPDATE: 06/11/2008



BATTERIES		WEIGHT
n° 2 Traction acid batteries	12V - 105 Ah/20h	57 kg
n° 2 GEL batteries	12V - 98 Ah/20h	56 kg

Model	W12/16	W12/24	W12/29	W12/36	W12/42
Mast type	Simplex	Duplex	Duplex	Duplex	Duplex
Load capacity till the height of 2,0 metres	1200 kg				
Forks lifting height	D05	1580	2400	2900	3600
Mast lowered height	D04	1905	1585	1842	2185
Mast extended height	D06	1940	2752	3252	3952
Weight without load and with lead batteries	420 kg	500 kg	515 kg	555 kg	575 kg
Travel speed (with / without load)	4,2 - 5,1 km/h				
Lifting speed (with / without load)	0,072 - 0,11 m/s				
Lowering speed (with / without load)	0,38 - 0,11 m/s				
Max gradeability (with / without load)	5% / 10%				
Wheels	2 (front) / 2 (rear)				
Front polyurethane rollers size	Ø 80 × 70				
Rear polyurethane wheels size	Traction Ø 245 × 76 - stabilizer Ø 150 × 40				
Brake	Electromagnetic with energy recycling				
Traction permanent magnets motor power	700 W				
Pump motor power	2.200 W				
Electronic control type	MOSFET 24V 110A				
Battery charger built in	High frequency electronic 24V 10A				
Residual capacity at the max lifting height	1200 kg	950 kg	850 kg	700 kg	450 kg

The W12 stackers series are designed to be the most compact, handy and easy to use for every user. The mast is extremely compact in height to allow to pass also under very low doors and the narrow steering radius together to the compactness of the machine body in depth permit to move with agility in all the narrow spaces. The lateral tiller and the compactness of the machine body also in width and in height allow a large visibility and handy in all the manoeuvres. A stacker with a modern and nice design, provide with a comfortable shelf where is allow to place the extensible plastic film for packing. A modern and safety stacker, equipped with the automatic speed reduction with the lifted load, with the valve for lowering the forks in case of failure and with the safety blockage when the stacker is connected to the main supply to charge the batteries.